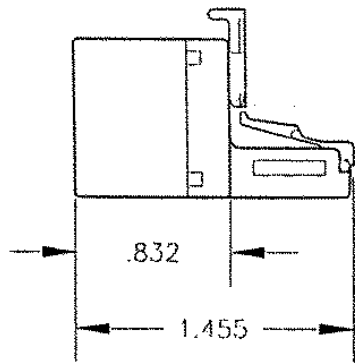
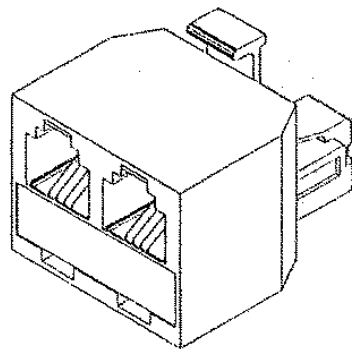


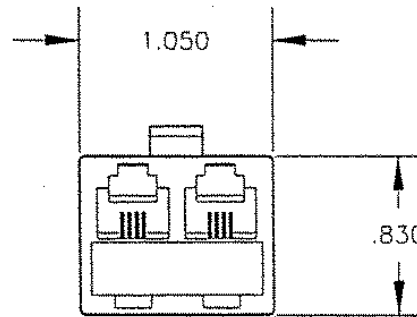
SIDE VIEW



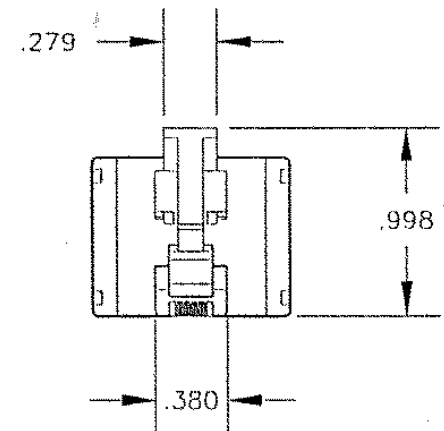
PERSPECTIVE VIEW



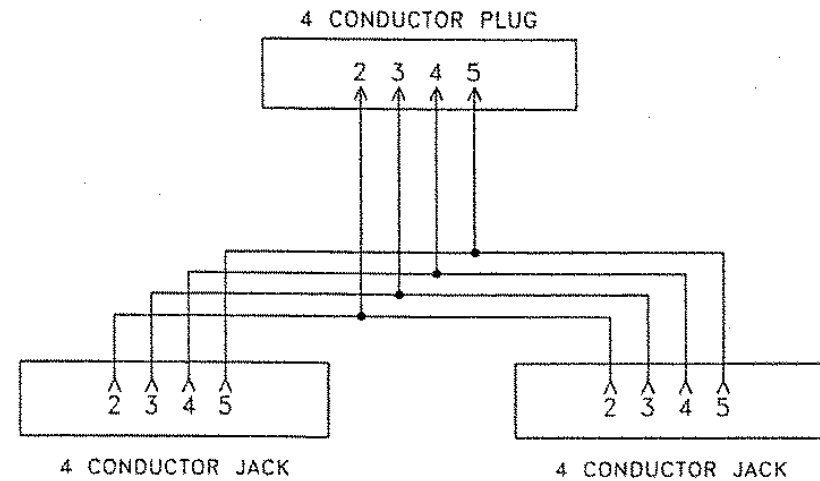
FRONT VIEW



BACK VIEW



WIRING SCHEMATIC



1. BLOCK HOUSING : ABS MOLDING COMPOUND
 CONTACTS : PHOSPHOR BRONZE, 50 μ INCHES
 GOLD OVER NICKEL PLATE

2. ALL DIMENSIONS ARE APROXIMATE & SHOULD BE
 USED FOR REFERENCE ONLY.

3. UL LISTING E136760



DESCRIPTION: MODULAR I-ADAPTER, 6 POSITION 4 CONTACTS

COLOR: LIGHT ASH

MATERIAL:

DWG NO. D.S. 1486

CHK: APRVD: REV.: A

DWG BY: A. MEDINA
 DATE: 02-22-2000

DO NOT SCALE

PART NO.:
AMK-0026